

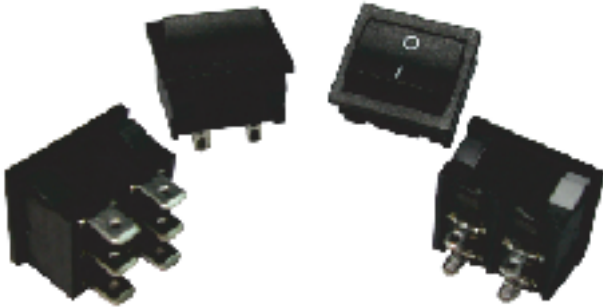


# Rocker Switch SS24 Series



## SPECIFICATION

- Electrical Rating : 12A 125VAC/250VAC(UL)  
16A 125VAC/250VAC(UL)  
16(4)A 250VAC(VDE)
- Mechanical life: Over 30000 cycles
- Electrical life: Over 10000 cycles
- Contact resistance: <20mΩ
- Insulation resistance: >1000MΩ
- High voltage resistance: >1500V 1 min.
- Ambient temperature: Terminal side -20 to +85°C  
Actuating side -20 to +55°C
- Storage temperature: -30 to +80°C Max
- Atmospheric humidity: Max.85%
- Actuating force: 4 to 8N
- Flammability: 94V-0
- Temperature rise at the terminal: Max 30°C (UL1054)
- Solder ability of terminal: Max 350°C , 3s

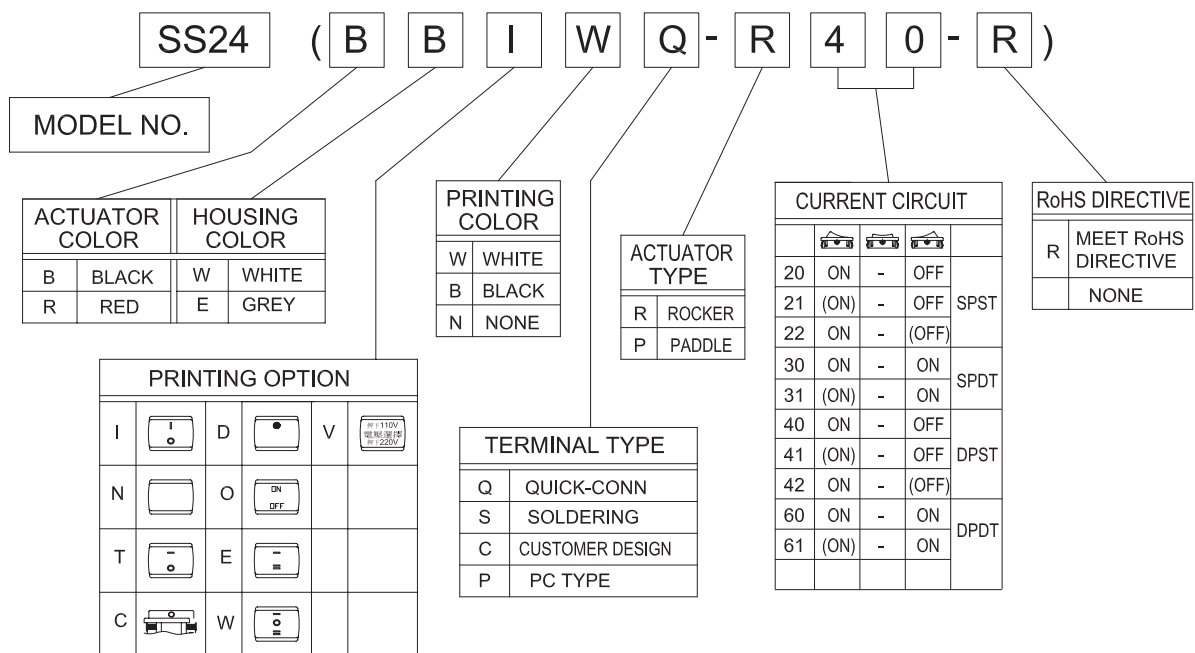


## MATERIALS

- Housing: Nylon 66 UL94V-0
- Rocker: Nylon 66 UL94V-0
- Contacts: Copper alloy silver plated
- Terminal: Copper alloy silver plated
- Spring: Piano wire nickel plated
- Movable arm: Copper alloy silver plated
- Roller: Carbon steel nickel plated

## HOW TO ORDER

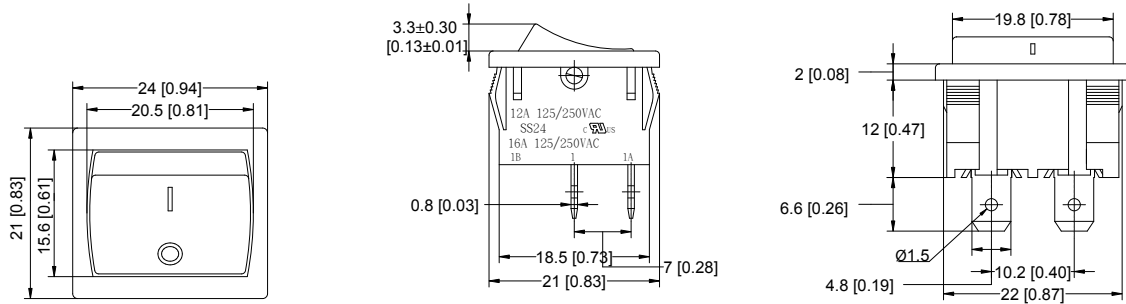
### SS24 SERIES ORDERING SYSTEM



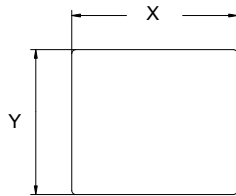
(-)MOMENTARY



Dimension

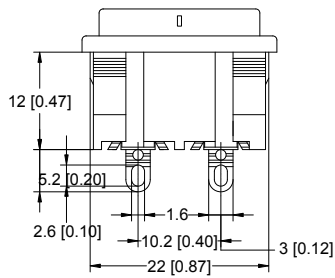


Panel cut out

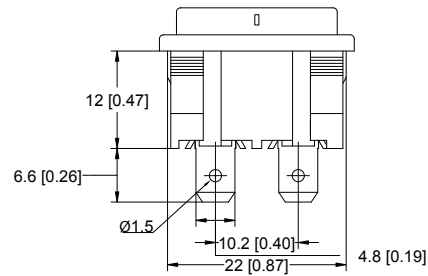


PANEL THICKNESS	Y	X
0.70~1.25mm	21.9~22.0mm	19.1~19.2mm
1.25~2.00mm	21.9~22.0mm	19.3~19.4mm
2.00~3.00mm	21.9~22.0mm	19.7~19.8mm

Terminal Option



SOLDERING TYPE



QUICK CONNECTING TYPE