



Rocker Switch RC Series



SPECIFICATION

Electrical Rating : 2A 250VAC/125VAC,
 6A 250VAC/10A 125VAC (UL)
 10A 250VAC/15A 125VAC(UL)
 10(4)A 250 VAC (VDE)

Mechanical life: Over 30000 cycles
 Electrical life: Over 10000 cycles
 Contact resistance: <20mΩ
 Insulation resistance: >1000MΩ
 High voltage resistance: >1500VAC 1 min.
 Ambient temperature: Terminal side -20 to +85°C
 Actuating side- 20 to +55°C

Atmospheric humidity: Max.85%
 Actuating force: 3 to 6N(depends on different switch function)
 Flammability: UL94V-2 & UL94V-0
 Storage temperature: -30 to +80°C Max
 Temperature rise at the terminal: 30°C (UL1054)
 Solder ability of terminal: Max 350°C 3s

MATERIALS

Housing: PA 66
 Rocker: PA 66 & PC
 Contacts: Silver alloy
 Terminal: Copper or brass silver plated
 Spring: SWC
 Movable arm: Copper silver plated
 Lamp: Neon lamp, Tungsten lamp, LED
 Bracket: PA66

HOW TO ORDER

ORDERING PROCEDURE (PART I): NON-ILLUMINATED

RC 1 5 K K E T 0 0 B

SERIES SWITCH FUNCTION RATING HOUSING COLOR ACTUATOR COLOR MARKING TERMINAL LAMP VOLTAGE SHAPE OF WINDOW SAFETY APPROVAL

| | |
|---|-----------|
| 1 | ON-OFF |
| 2 | ON-ON |
| 3 | ON-OFF-ON |

| | | |
|------------|--------------------------|--------------------------|
| K (BLACK) | <input type="checkbox"/> | <input type="checkbox"/> |
| W (WHITE) | <input type="checkbox"/> | <input type="checkbox"/> |
| G (GRAY) | <input type="checkbox"/> | <input type="checkbox"/> |
| O (ORANGE) | <input type="checkbox"/> | <input type="checkbox"/> |
| R (RED) | <input type="checkbox"/> | <input type="checkbox"/> |
| N (GREEN) | <input type="checkbox"/> | <input type="checkbox"/> |
| Y (YELLOW) | <input type="checkbox"/> | <input type="checkbox"/> |
| B (BLUE) | <input type="checkbox"/> | <input type="checkbox"/> |
| V (VIOLET) | <input type="checkbox"/> | <input type="checkbox"/> |

AVAILABLE

SEE OPTION OF MARKING

0 NO WINDOW

B UL,VDE

0 NO LAMP

T QUICK CONNECT TERMINAL, 4.8mm WIDE, 0.8mm THICK

| | |
|---|---------------|
| 5 | 10A 250VAC |
| | 15A 125VAC |
| | 10(4)A 250VAC |



HOW TO ORDER

ORDERING PROCEDURE (PART II): ILLUMINATED

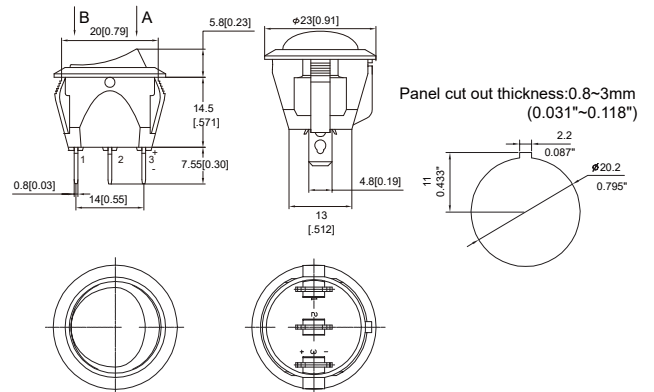
RC 9 5 K K D E T 1 L N B

| SERIES | SWITCH FUNCTION | RATING | HOUSING COLOR | ACTUATOR COLOR | COLOR OF WINDOW | MARKING | TERMINAL | LAMP VOLTAGE | SHAPE OF WINDOW | COLOR OF LAMP | SAFETY APPROVAL |
|--------|---|--------|-----------------------|----------------|-----------------|-----------------------|----------------------|--------------|---|-------------------------------|---|
| 9 | ON-OFF (LIGHTED) | | | | | SEE OPTION OF MARKING | | | | | |
| 5 | 10A 250VAC 15A 125VAC 10(4)A 250VAC | | | | | | | | | | |
| | | | K (BLACK) | ○ | | | | | L ELLIPSE (FOR LED LAMP) | | |
| | | | W (WHITE) | ○ | | | | | C ROUND (FOR NEON OR TUNGSTEN LAMP) | | |
| | | | G (GRAY) | ○ | | | | | E NO WINDOW (FOR NEON OR TUNGSTEN LAMP) | | |
| | | | O (ORANGE) | | | | | | | N TRANSPARENT NEON LAMP | |
| | | | R (RED) | | | | | | | F GREEN FLUORESCENT NEON LAMP | |
| | | | N (GREEN) | ○ | | | | | | B BLUE FLUORESCENT NEON LAMP | |
| | | | Y (YELLOW) | ○ | | | | | | R RED LED LAMP | |
| | | | B (BLUE) | ○ | | | | | | M GREEN LED LAMP | |
| | | | V (VIOLET) | ○ | | | | | | Y YELLOW LED LAMP | |
| | | | D (RED) illu. | ○ | | | | | | | |
| | | | M (GREEN) illu. | ○ | | | | | | | |
| | | | Y (YELLOW) illu. | ○ | | | | | | | |
| | | | F (BLUE) illu. | ○ | | | | | | | |
| | | | ○ AVAILABLE | | | | | | | | |
| | | | E (NO WONDOW) | | | | | | | | |
| | | | D (RED) illu. | | | | | | | | |
| | | | M (GREEN) illu. | | | | | | | | |
| | | | Y (YELLOW) illu. | | | | | | | | |
| | | | F (BLUE) illu. | | | | | | | | |
| | | | T (TRANSPARENT) illu. | | | | | | | | |
| | | | | | | | 1 NEON LAMP (125VAC) | | | | |
| | | | | | | | 2 NEON LAMP (250VAC) | | | | |
| | | | | | | | L LED | | | | |
| | | | | | | | | | | | B UL, VDE |
| | | | | | | | | | | | T QUICK CONNECT TERMINAL, 4.8mm WIDE, 0.8mm THICK |

Option of switch function

| Item No | POLES & THROWS | Rocker position ():Momentary | | |
|---------|-----------------|-------------------------------|--------|-------|
| | | Left | Center | Right |
| RC1 | SPST | ON | None | OFF |
| RC2 | SPDT | ON | None | ON |
| RC3 | SPDT | ON | OFF | ON |
| RC9 | SPST (With LED) | ON | None | OFF |

Dimension & Panel cut out



Lamp Circuit

