

Rocker Switch R4 Series



SPECIFICATION

Electrical Rating : 20A 125VAC/16A 250VAC(UL)
10A/15A/16A 250VAC(VDE)

Mechanical life: Over 30000 cycles
 Electrical life: Over 10000 cycles
 Contact resistance: <20mΩ
 Insulation resistance: >1000MΩ
 High voltage resistance: >1500V 1 min.
 Ambient temperature: Terminal side -20 to +85°C
 Actuating side -20 to +55°C
 Storage temperature: -30 to +80°C Max
 Atmospheric humidity: Max.85%
 Actuating force: 4~8N(depends on different switch function)
 Flammability: UL94 V-2
 Temperature rise at the terminal: Max 30°C (UL1054)
 Solder ability of terminal: Max 350°C, 3s

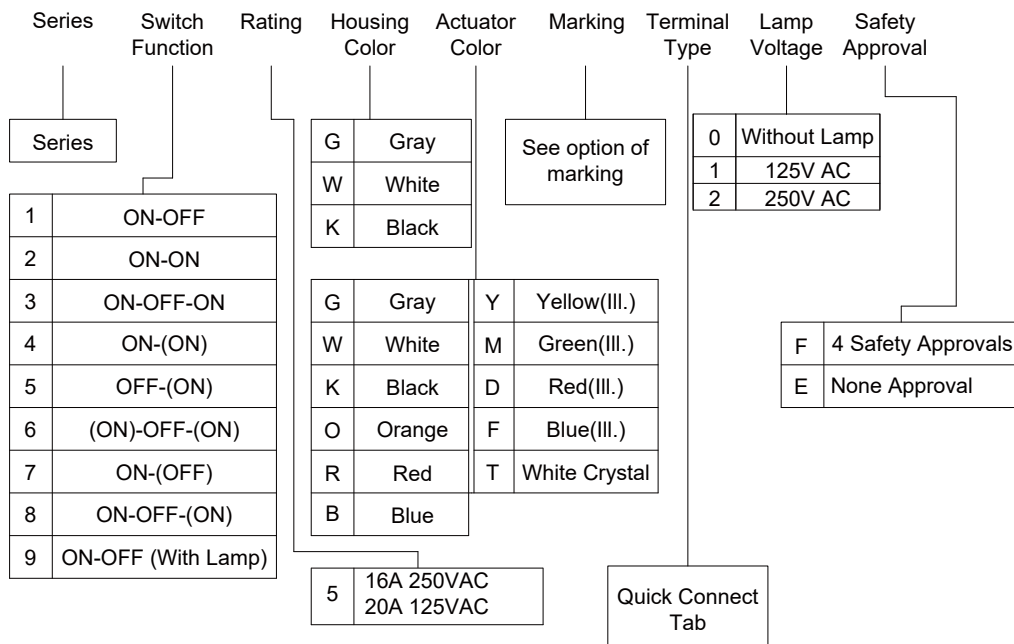


MATERIALS

Housing: Nylon 66
 Rocker: PC & PA66
 Contacts: Silver Alloy
 Terminal: Brass Silver Plated
 Lamp: Neon Lamp, Tungsten Lamp
 Spring: SWP, SUS
 Movable Arm: Brass Silver Plated

HOW TO ORDER

R4 1 5 K K E T 0 F A



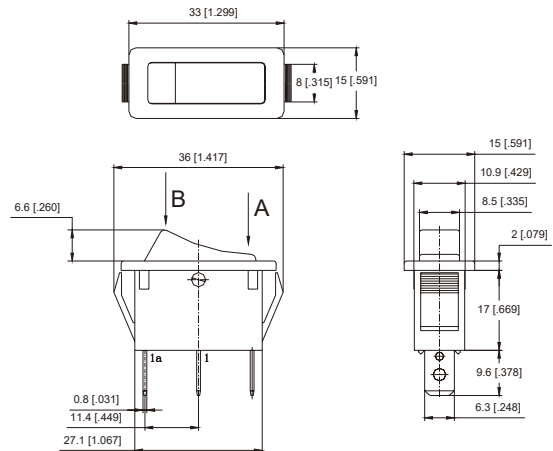
Rocker Switch R4 Series



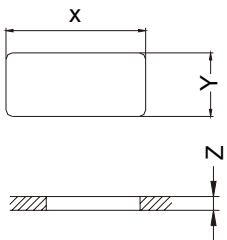
Option of switch function

Item NO	POLES & THROWS	Rocker position ():Momentary		
		Left	Center	Right
R41	SPST	ON	None	OFF
R42	SPDT	ON	None	ON
R43	SPDT	ON	OFF	ON
R44	SPDT	ON	None	(ON)
R45	SPST	OFF	None	(ON)
R46	SPDT	(ON)	OFF	(ON)
R47	SPST	ON	None	(OFF)
R48	SPDT	ON	OFF	(ON)
R49	SPST (WITHLAMP)	ON	None	OFF

Dimension



Panel cut out



Z	Y	X
0.70~1.25	11.10~11.20	29.60~29.70
1.25~2.00	11.10~11.20	30.10~30.20
2.00~3.00	11.10~11.20	30.45~30.55

Circuits for switch with lamp

For circuits of 250V AC or 125V AC

