

Rocker Switch MRA Series



SPECIFICATION

Electrical Rating : 3A 250VAC(UL,VDE)
 Mechanical life: Over 30000 cycles
 Electrical life: Over 10000 cycles
 Contact resistance: <math><20\text{m}\Omega</math>
 Insulation resistance: >1000M Ω
 High voltage resistance: >1500V 1 min.
 Ambient temperature: Terminal side -20 to +85°C
 Actuating side -20 to +55°C
 Storage temperature: -30 to +80°C Max
 Atmospheric humidity: Max.85%
 Actuating force: 4 to 8N(depends on different switch function)
 Flammability: UL94 V-2
 Temperature rise at the terminal: Max 30°C (UL1054)
 Solder ability of terminal: Max 350°C ,3s

MATERIALS

Housing: PA66
 Rocker: PA66
 Contacts: Silver alloy
 Terminal: Brass silver plated
 Spring: SWC
 Movable arm: Brass silver plated

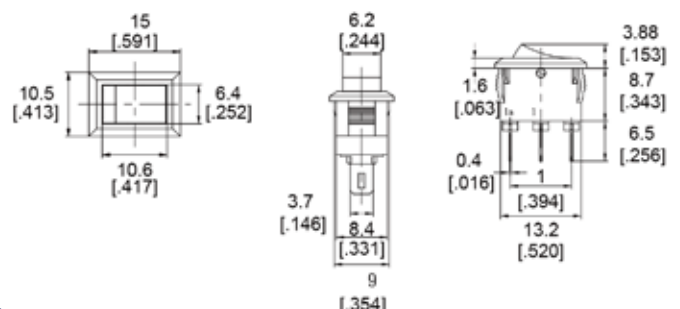
HOW TO ORDER

MRA	1	K	K	E	T	B																														
Series	Switch Function	Housing Color	Actuator Color	Marking	Terminal Type	Safety Approval																														
Series	<table border="1"> <tr><td>1</td><td>ON-OFF</td></tr> <tr><td>2</td><td>ON-ON</td></tr> </table>	1	ON-OFF	2	ON-ON	<table border="1"> <tr><td>G</td><td>Gray</td></tr> <tr><td>W</td><td>White</td></tr> <tr><td>K</td><td>Black</td></tr> </table>	G	Gray	W	White	K	Black	<table border="1"> <tr><td>G</td><td>Gray</td></tr> <tr><td>W</td><td>White</td></tr> <tr><td>K</td><td>Black</td></tr> <tr><td>O</td><td>Orange</td></tr> <tr><td>R</td><td>Red</td></tr> <tr><td>B</td><td>Blue</td></tr> </table>	G	Gray	W	White	K	Black	O	Orange	R	Red	B	Blue	Please see option of Marking	<table border="1"> <tr><td>T</td><td>connect tab 3.7(Wide)*0.4(Thick)</td></tr> <tr><td>R</td><td>Right angle terminal</td></tr> </table>	T	connect tab 3.7(Wide)*0.4(Thick)	R	Right angle terminal	<table border="1"> <tr><td>B</td><td>3 Safety Approvals</td></tr> <tr><td>E</td><td>None Approvals</td></tr> </table>	B	3 Safety Approvals	E	None Approvals
1	ON-OFF																																			
2	ON-ON																																			
G	Gray																																			
W	White																																			
K	Black																																			
G	Gray																																			
W	White																																			
K	Black																																			
O	Orange																																			
R	Red																																			
B	Blue																																			
T	connect tab 3.7(Wide)*0.4(Thick)																																			
R	Right angle terminal																																			
B	3 Safety Approvals																																			
E	None Approvals																																			

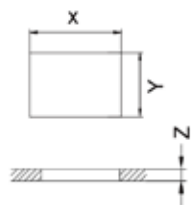
Option of switch function

Item NO	POLES & THROWS	Rocker position		
		Left	Center	Right
MRA1	SPST	ON	None	OFF
MRA2	SPDT	ON	None	ON

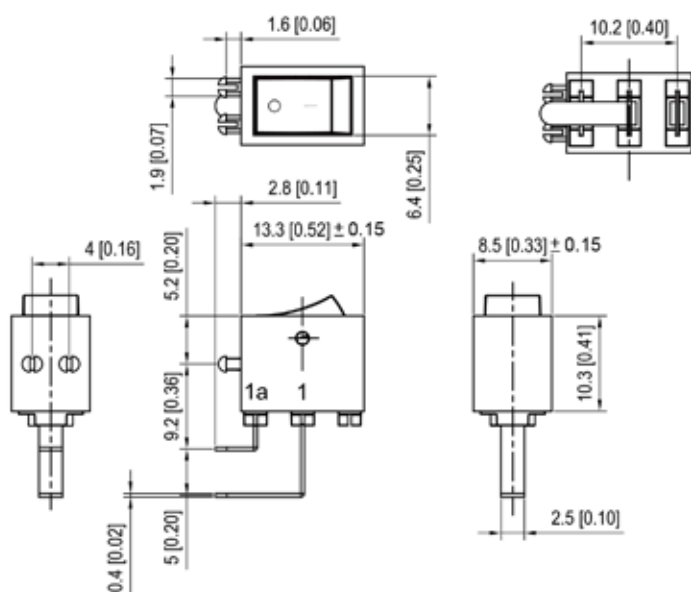
Dimension



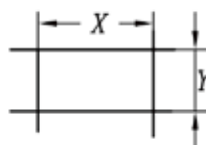
Rocker Switch MRA Series

Panel cut out


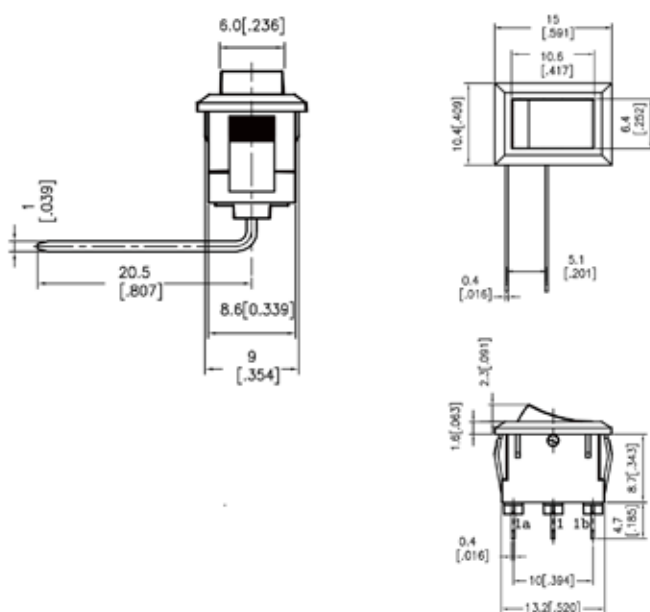
Z	Y	X
0.70~1.25	9.10~9.20	14.10~14.20
1.25~2.00	9.10~9.20	14.20~14.30
2.00~3.00	9.10~9.20	14.30~14.40

Right angle terminal

MRA1KKFR0BCA-BR

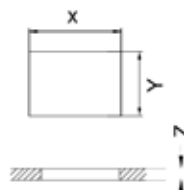
PANEL OUT-CUT	
Y	X
8.7~8.9[.342~.350]	13.5~13.7[.531~.539]



All dimensions in mm [Inch]

Right angle terminal

MRA2KKER0BR

Z	Y	X
0.70~1.25	9.10~9.20	13.60~13.80
1.25~2.00	9.10~9.20	13.80~14.00
2.00~3.00	9.10~9.20	14.00~14.10



All dimensions in mm [Inch]